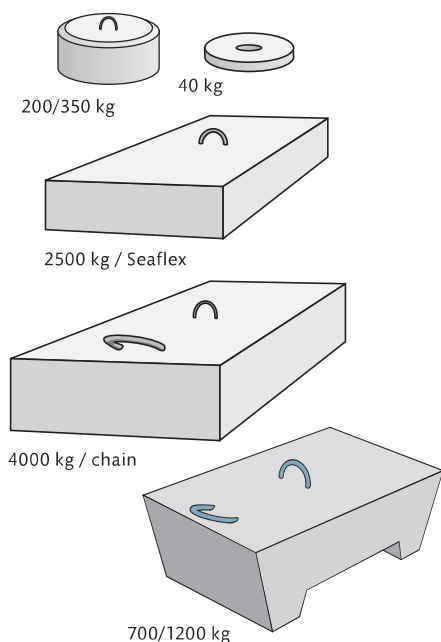


Concrete products

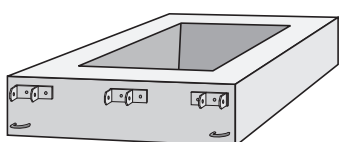
SINKERS



CHAIN MOORING		SEAFLEX MOORING	
40 kg		5000 kg	A2 bar 20 mm, rope 24 mm
200 kg	hot dip galvanised bar 16 mm	7500 kg	A2 bar 25 mm, rope 32 mm
350 kg	hot dip galvanised bar 16 mm	10000 kg	A2 bar 25 mm, rope 32 mm
700 kg	hot dip galvanised bar 25 mm	12500 kg	A2 bar 25 mm, rope 32 mm
1200 kg	hot dip galvanised bar 25 mm		
2000 kg	hot dip galvanised bar 25 mm		
2500 kg	hot dip galvanised bar 25 mm		
3000 kg	hot dip galvanised bar 32 mm		
4000 kg	hot dip galvanised bar 32 mm		
5000 kg	hot dip galvanised bar 32 mm		

Sinkers of different weights and shapes are also available by request

SHORE SUPPORT ELEMENTS



MARINA PONTOONS		VILLA PONTOONS	
1500x2000x400 mm 1600 kg		1300x1200x300 mm 600 kg	
Type 1	timber bridges, 1,3 x 4,0-5,0 m	Type 1	timber bridges
Type 2	timber bridges, 1,3 x 6,0 m	Type 2	steel bridges
Type 3	timber bridges, 1,9 x 5,0-6,0 m		
Type 4	steel and aluminium bridges, 1,2 x 6,0-12,0 m		
Type 5	steel and aluminium bridges, 1,8 x 6,0-12,0 m		

RAMP ELEMENT



ELEMENT	
Dimensions	2400x3500x150 mm
Weight	2960 kg
Permitted wheel load	50 kN
Permitted axle load	100 kN

Marinetek operates a policy of continuous development and reserves the right to change specifications without notice.

Modification date: 14.11.2014

MARINETEK GROUP OY

Vattuniemenkatu 3
FI-00210 Helsinki
www.marinetek.net

TEL. +358 (0)9 682 4100
FAX +358 (0)9 682 41030
EMAIL info@marinetek.net

