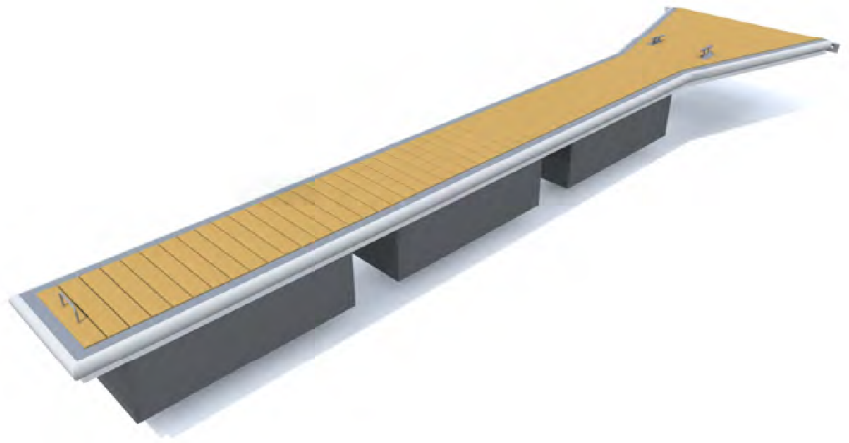


UNDER DESIGN FOR 2015-2016

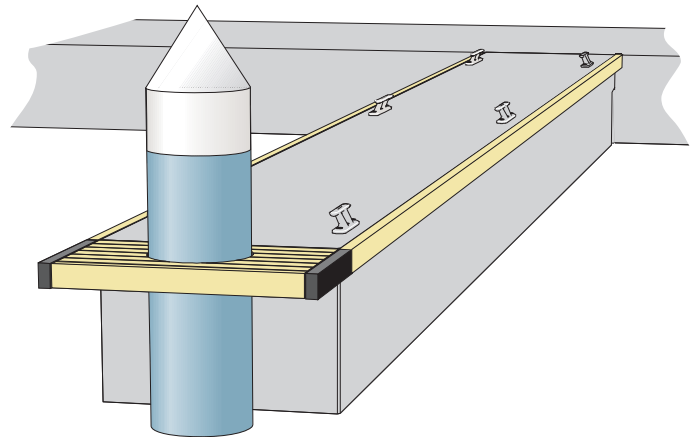
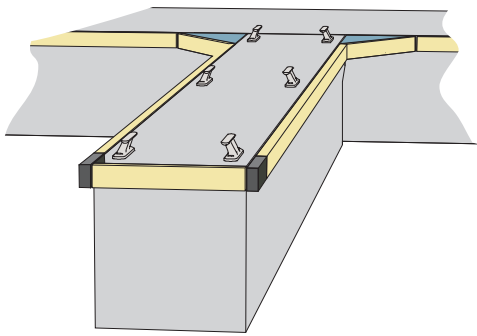
Aluminium Fingers

Lengths: 9-20 m
Deck: composite
Available: Summer 2015



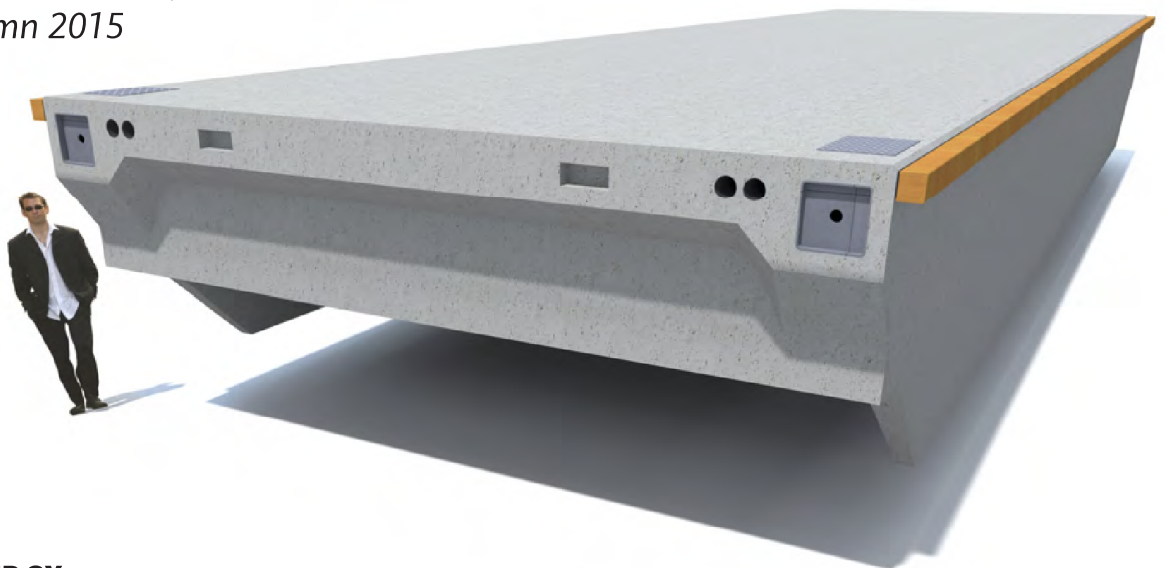
Concrete Fingers

Lengths: 9, 12, 15, 20 m
Available: Autumn 2015



6300- series Breakwater Units

Length: 20 m
Width: 6,3 m (with fenders)
Available: Autumn 2015



MARINETEK GROUP OY

Vattuniemenkatu 3
FI-00210 Helsinki
www.marinetek.net

TEL. +358 (0)9 682 4100
FAX +358 (0)9 682 41030
EMAIL info@marinetek.net

MARINETEK